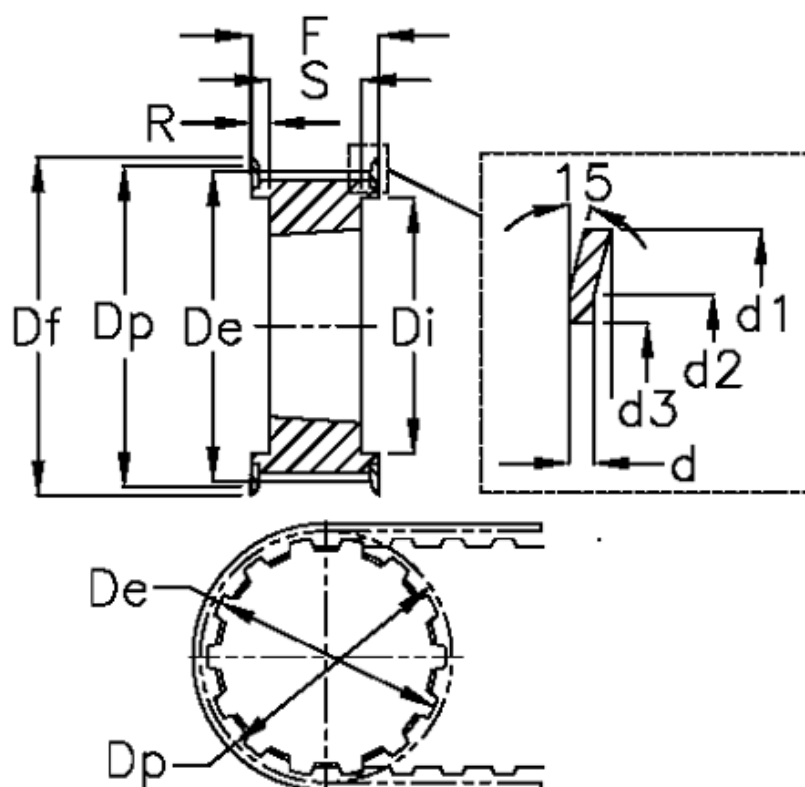


Article number: 604133028055
 Description: Taper bored timing belt pulley
 HTD 28 14M 55 TL 2012

Measures



| | | |
|-------------|--------------------|--------------|
| d = 2.5 | F = 70 | Weight = 2.2 |
| d1 = 128 | Flange type = F40 | Width = 55 |
| d2 = 124 | For bushing = 2012 | |
| d3 = 107 | Max bore = 50 | |
| De = 122.12 | r = 19 | |
| Df = 128 | S = 32 | |
| Di = 94 | Tooth number = 28 | |
| Dp = 124.78 | Type = 14M | |